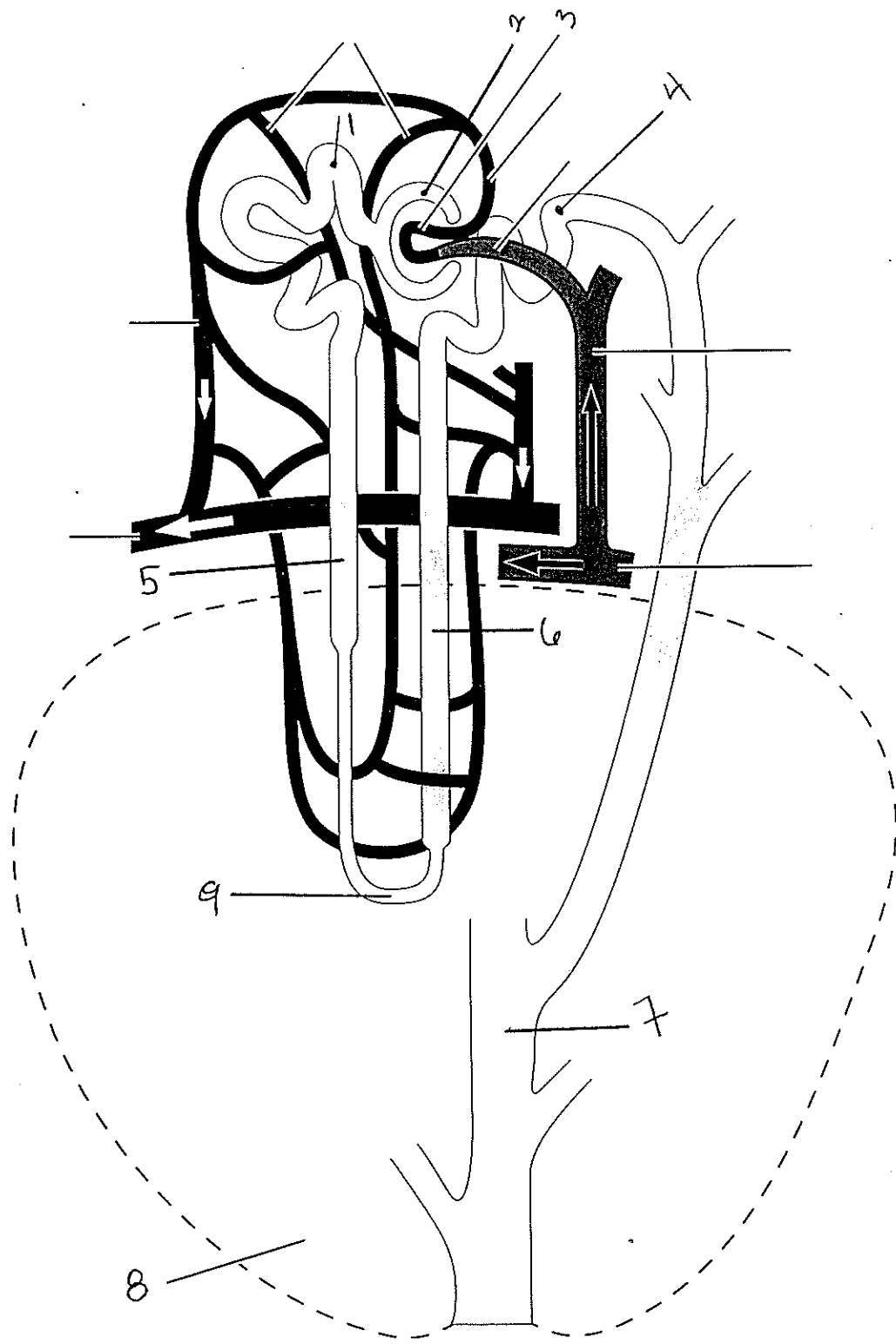
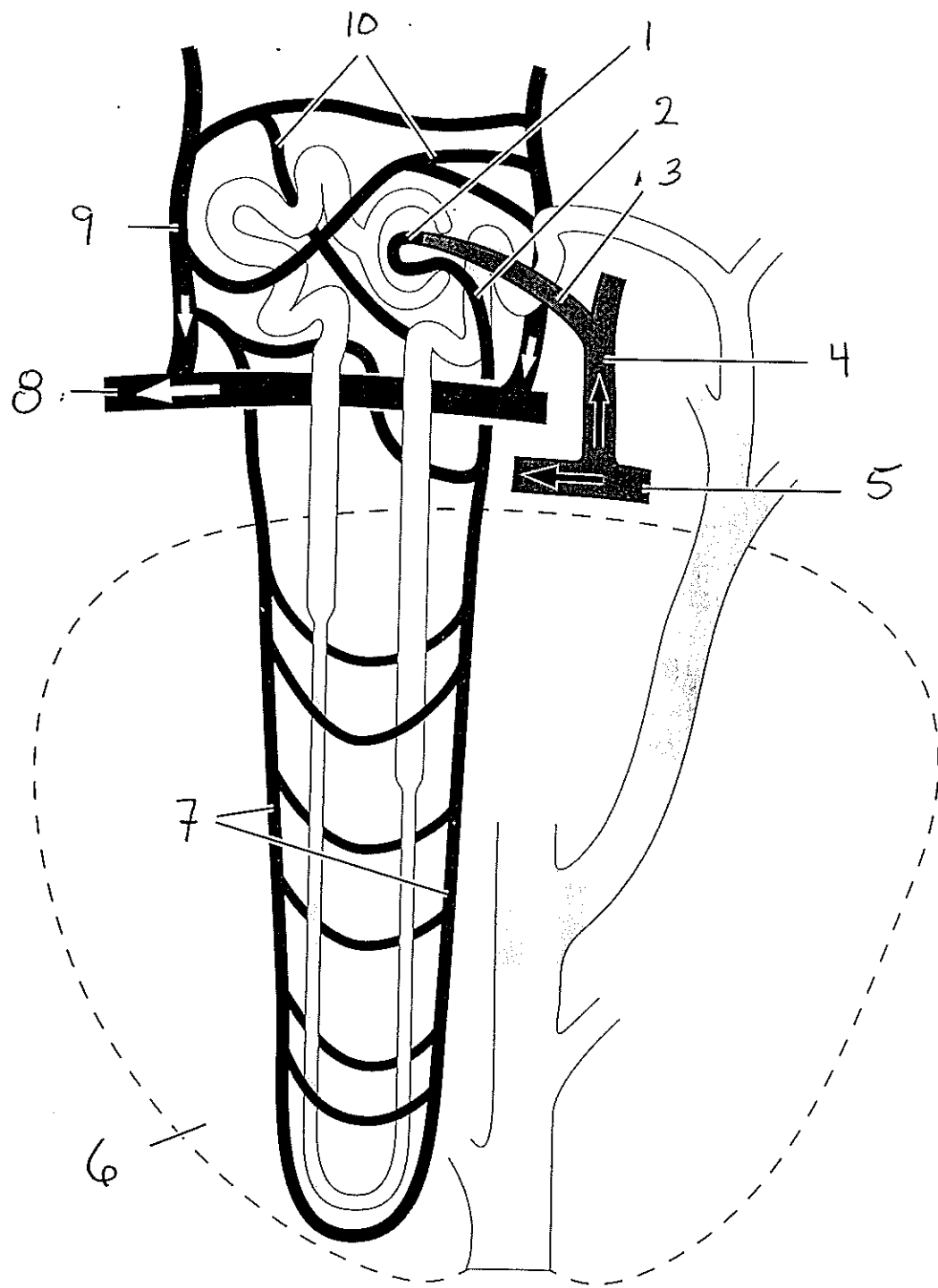


coupe frontal d'un rein.



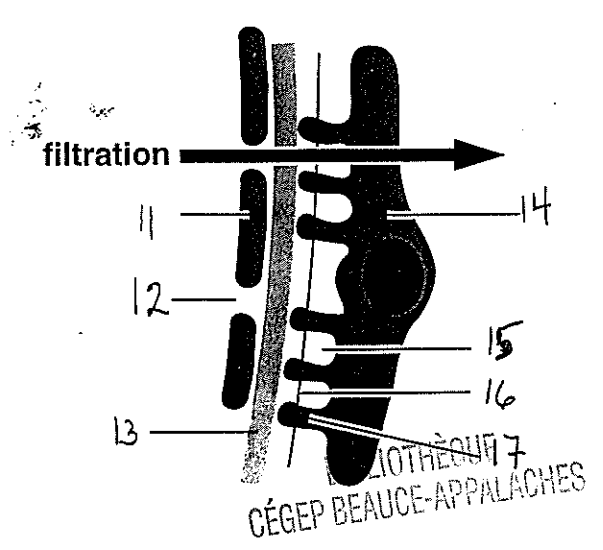
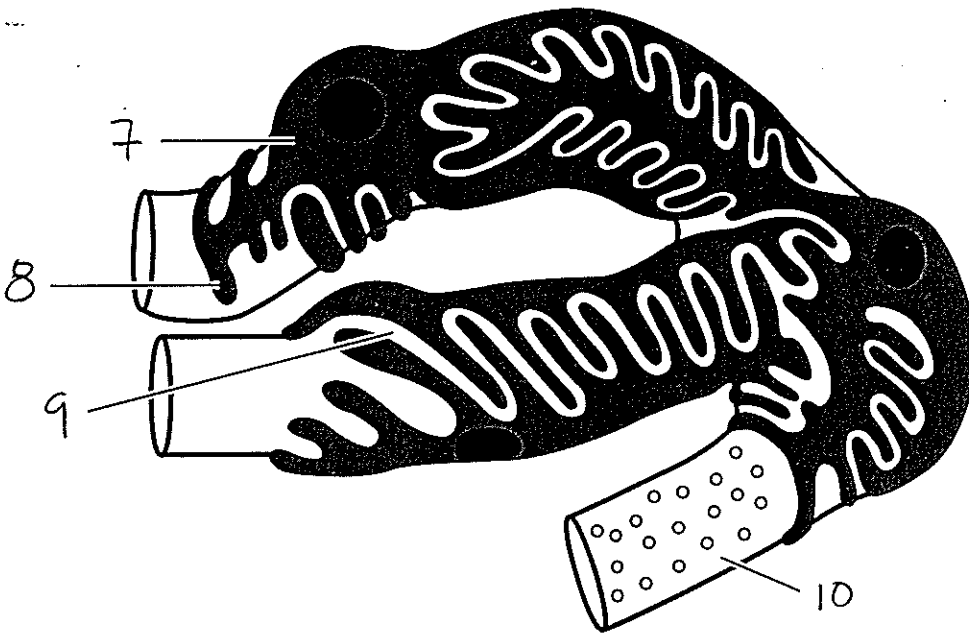
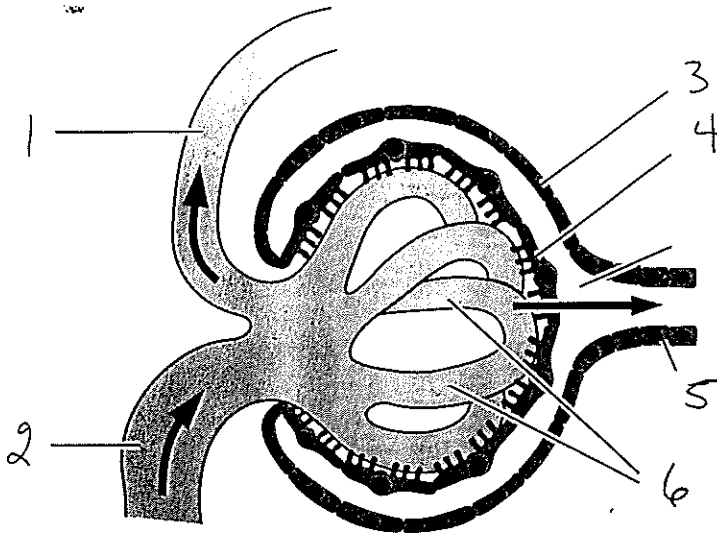
BIBLIOTHÈQUE
CÉGEP BEAUCE-APPALACHES

Nephron cortical



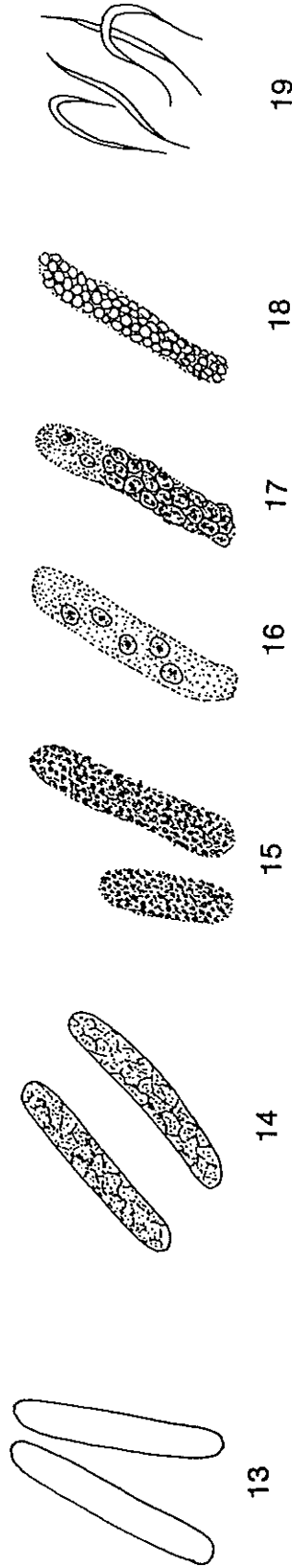
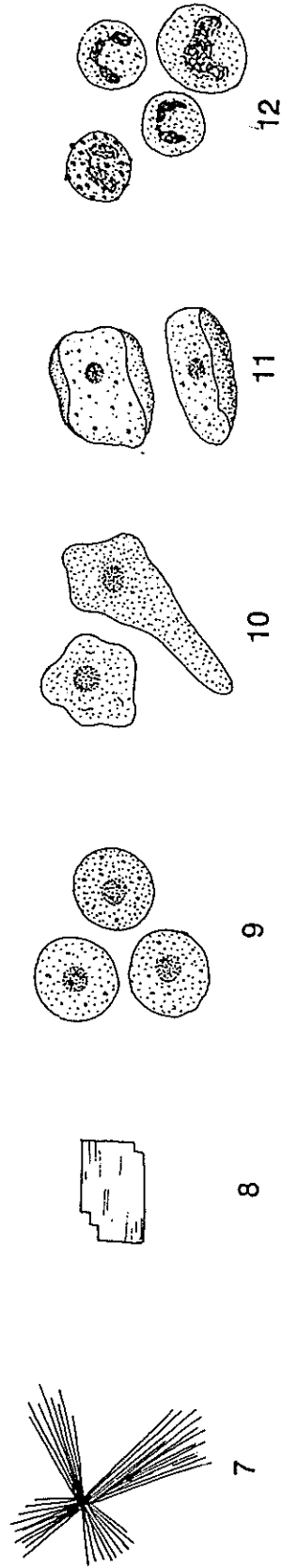
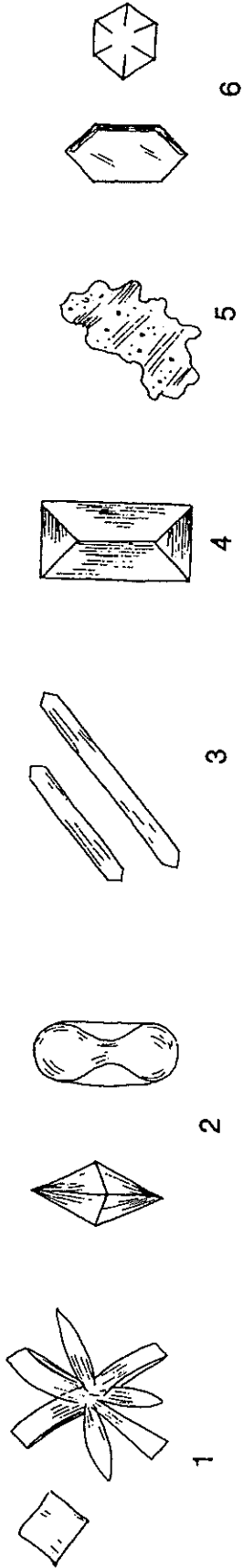
BIBLIOTHÈQUE
CÉGEP BEAUCE-APPALACHES

Nephron juxta-médullaire



LIOTHÈQUE 7
CÉGEP BEAUCE-APPALACHES

Membrane de filtration



CRYSTALS

- 1. uric acid
- 2. calcium oxalate
- 3. hippuric acid
- 4. ammonium-magnesium phosphate
- 5. calcium phosphate
- 6. cystine
- 7. tyrosine
- 8. cholesterol

CELLS AND CASTS

- 9. epithelial cells
- 10. epithelial cells
- 11. squamous cells
- 12. leukocytes (pus)
- 13. hyaline casts
- 14. granular casts
- 15. granular casts
- 16. epithelial casts
- 17. pus casts
- 18. blood casts
- 19. mucus threads